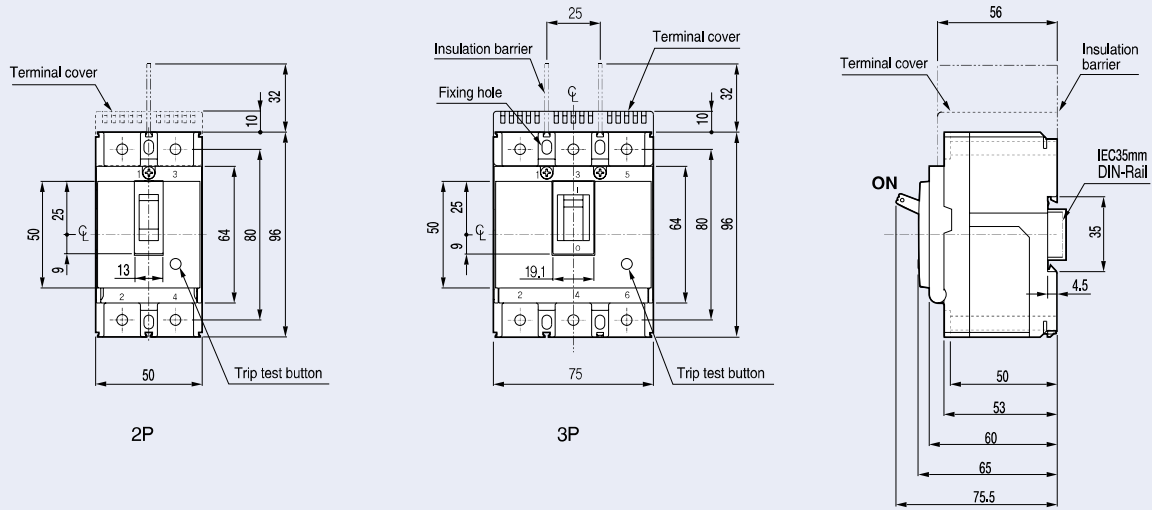


Dimensions

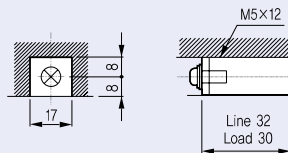
Metasol

MCCB

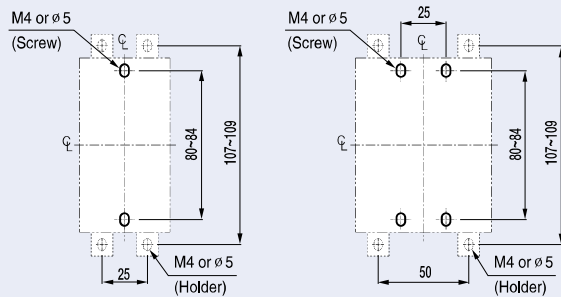
ABE30b



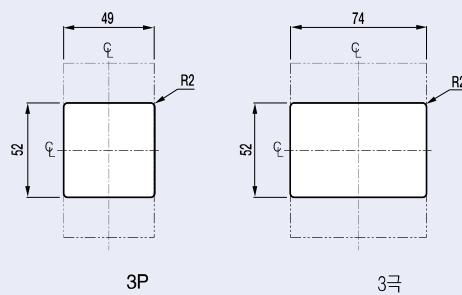
Terminal details



Panel drilling

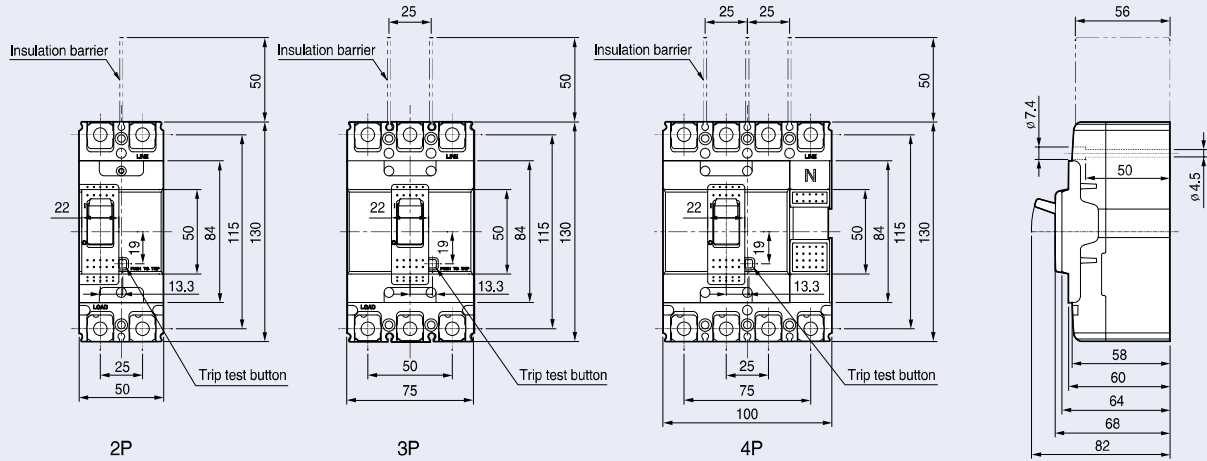


Front panel cutting

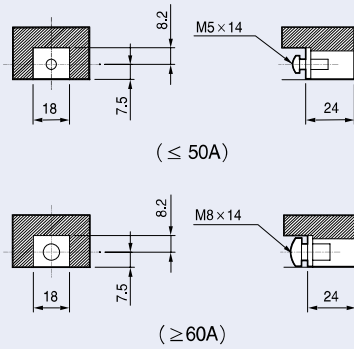


MCCB

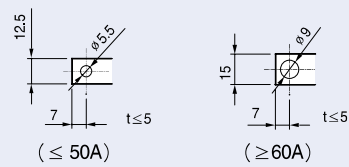
ABN50c	ABS30c
ABN60c	ABS50c
ABN100c	ABS60c



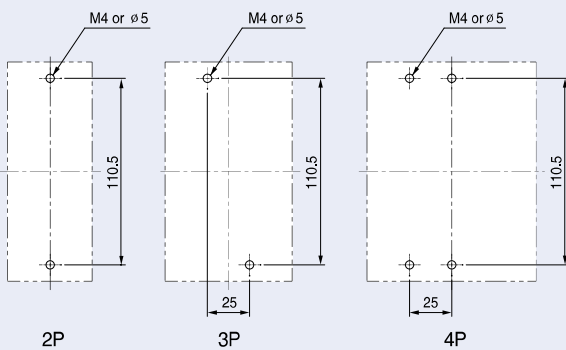
Terminal details



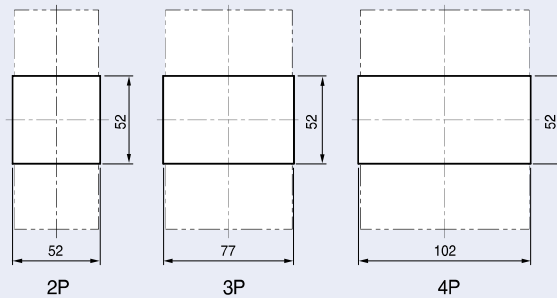
Connecting



Panel drilling



Front panel cutting



Dimensions

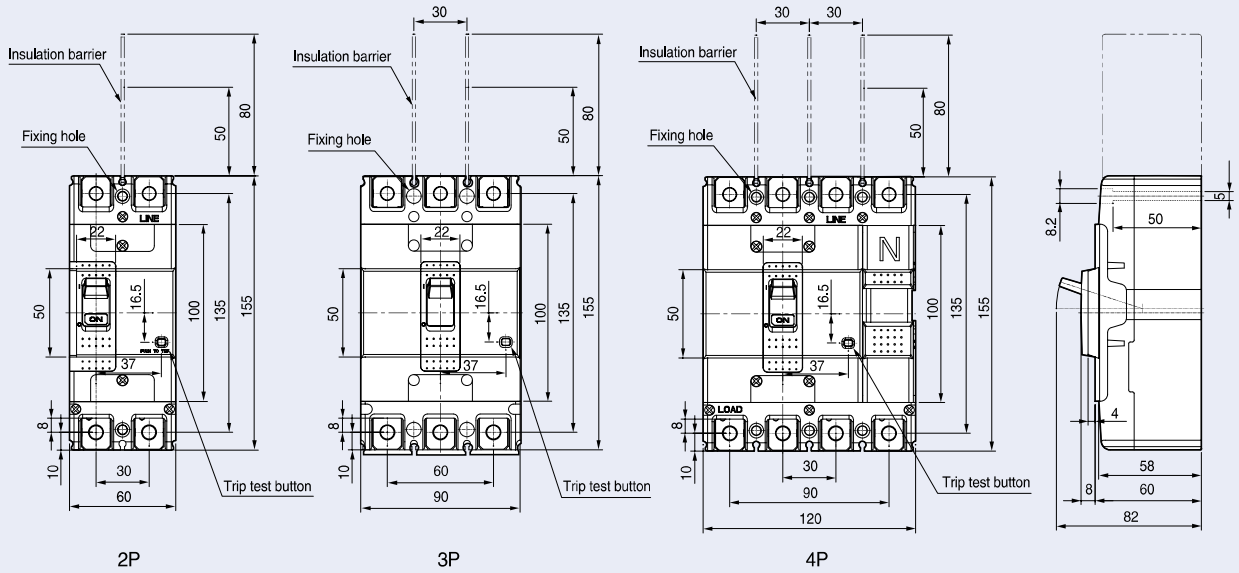
Metasol

MCCB

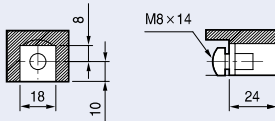
ABS125c

ABH50c

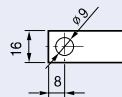
ABH125c



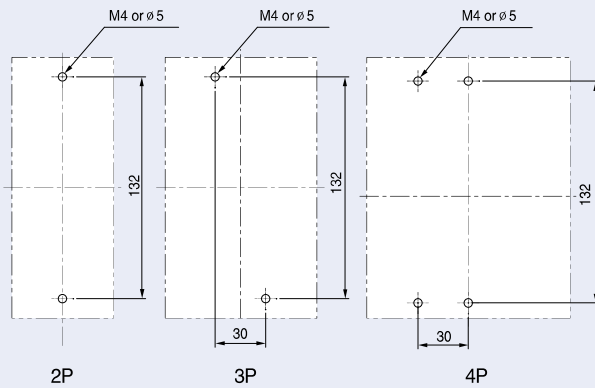
Terminal details



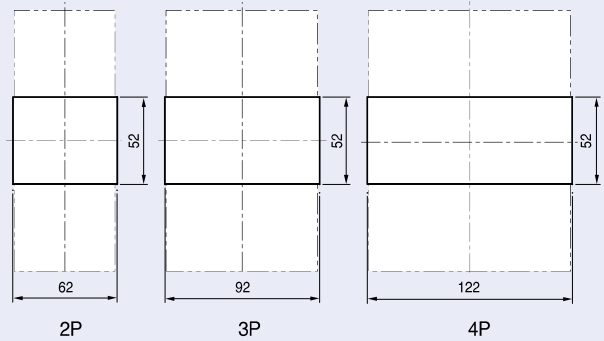
Connecting



Panel drilling



Front panel cutting



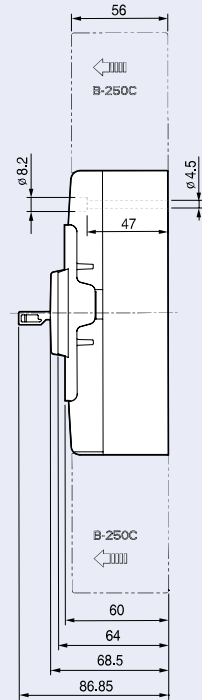
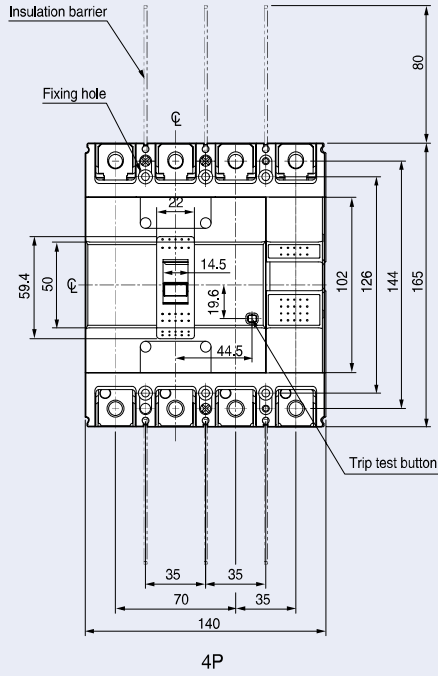
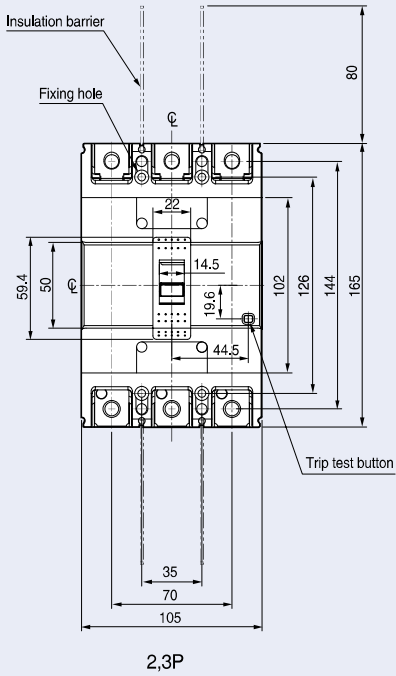


MCCB

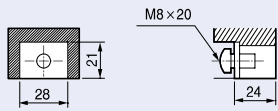
ABN250c

ABS250c

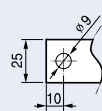
ABH250c



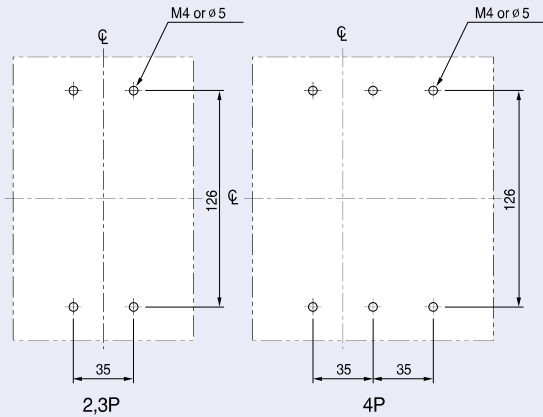
Terminal details



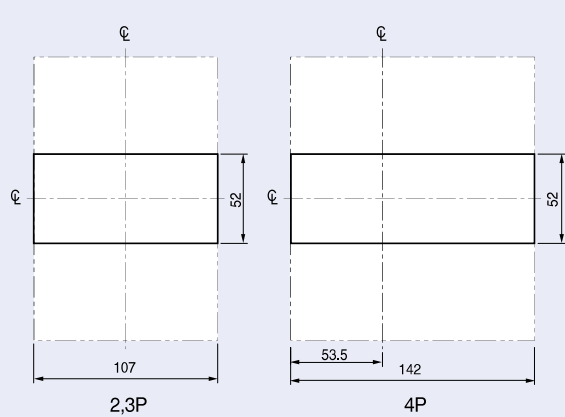
Connecting



Panel drilling



Front panel cutting



Dimensions

Metasol

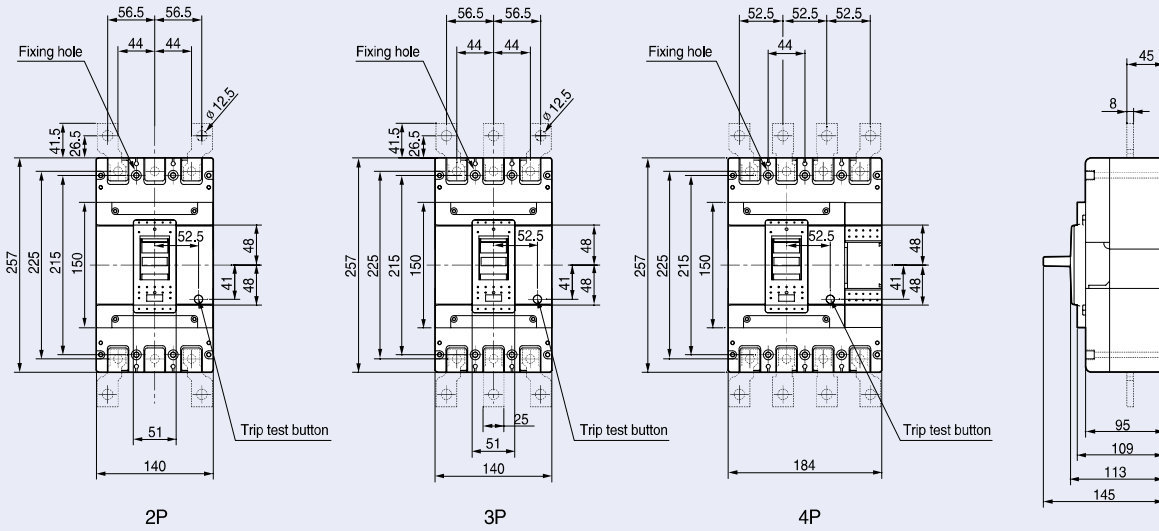
MCCB

ABN400c

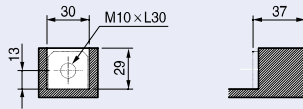
ABS400c

ABH400c

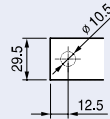
ABL400c



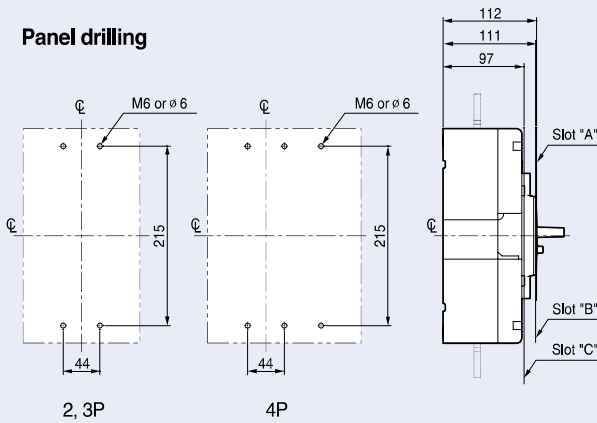
Terminal details



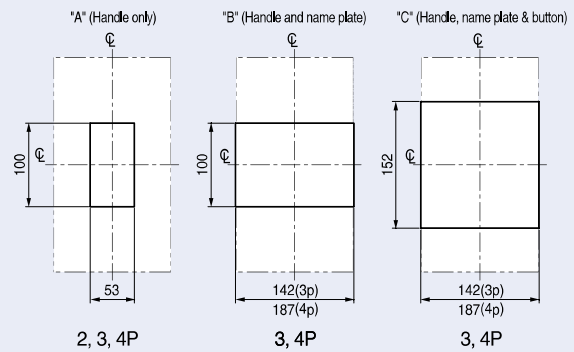
Connecting



Panel drilling



Front panel cutting



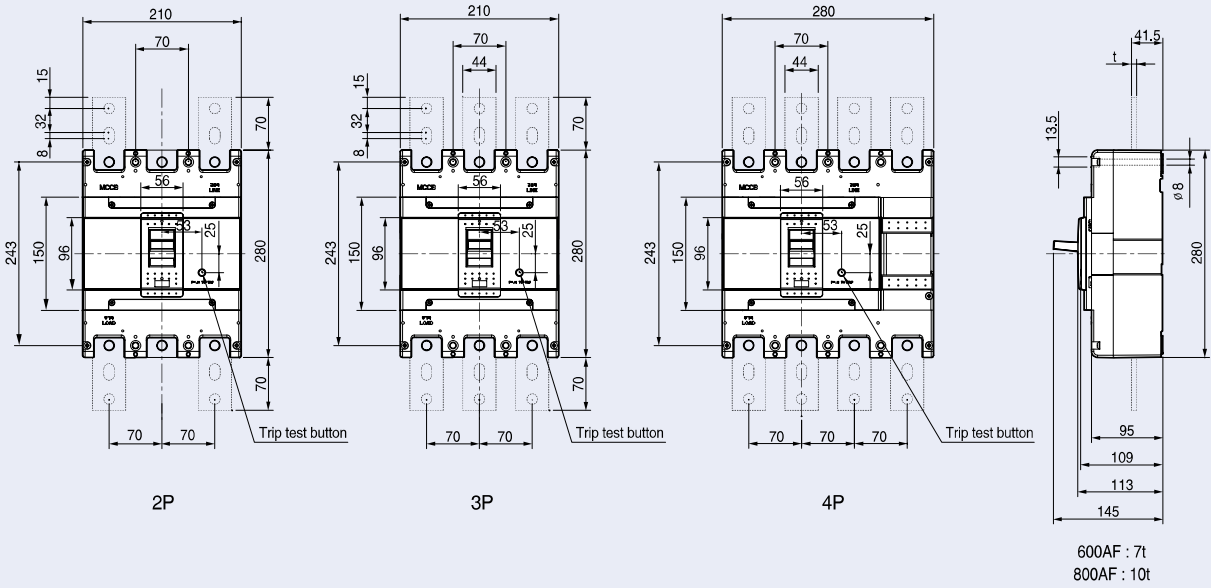


MCCB

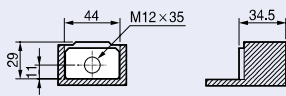
ABN800c

ABS800c

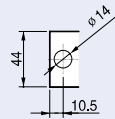
ABL800c



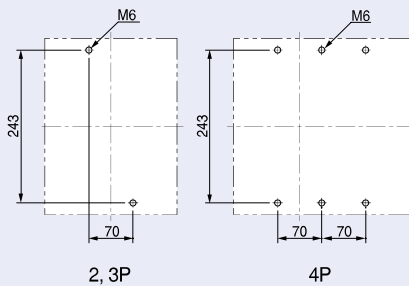
Terminal details



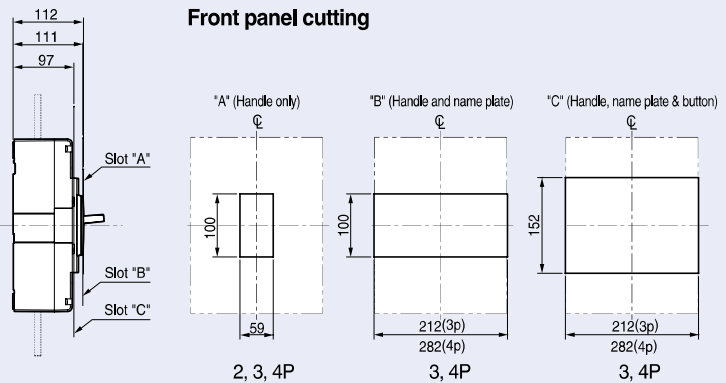
Connecting



Panel drilling



Front panel cutting

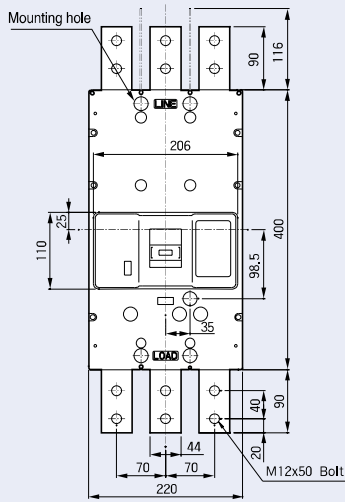


Dimensions

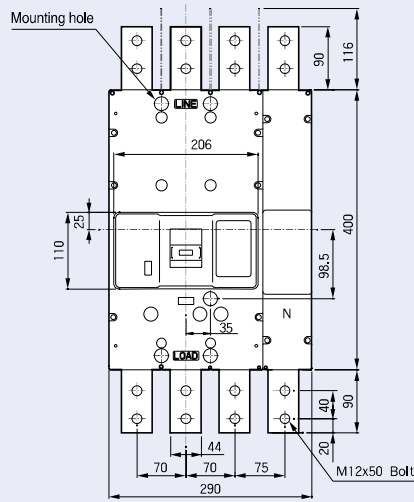
Metasol

MCCB

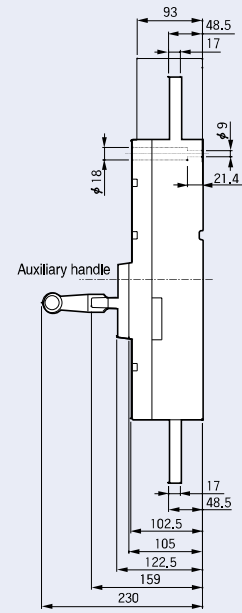
ABS1000b	ABL1000b
ABS1200b	ABL1200b



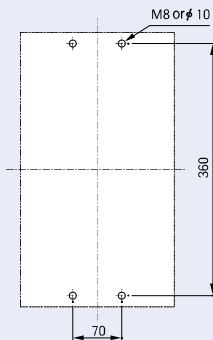
3P



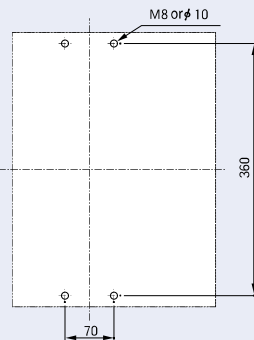
4P



Panel drilling

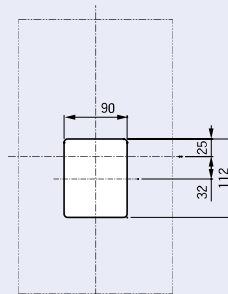


3P

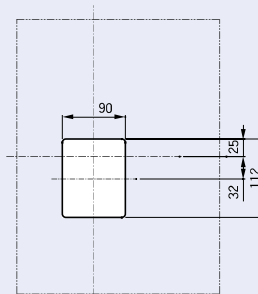


4P

Front panel cutting



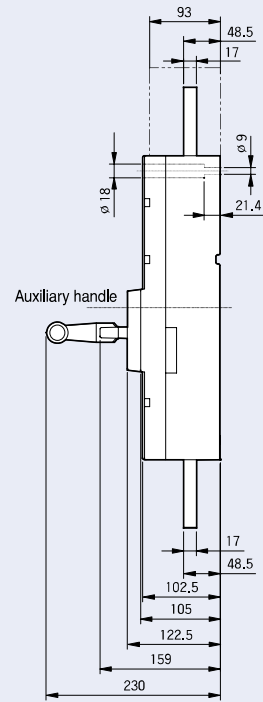
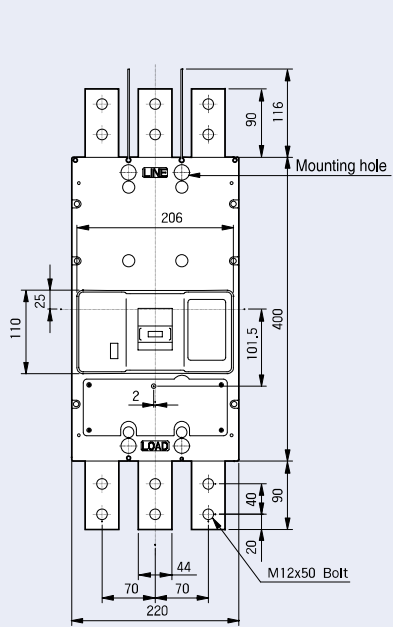
3P



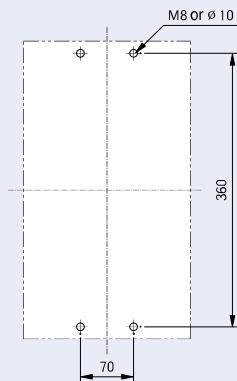
4P

ELCB

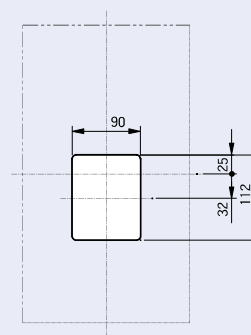
ABS1203bE



Panel drilling



Front panel cutting

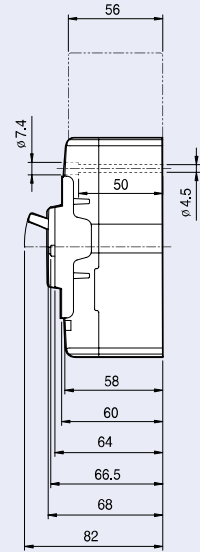
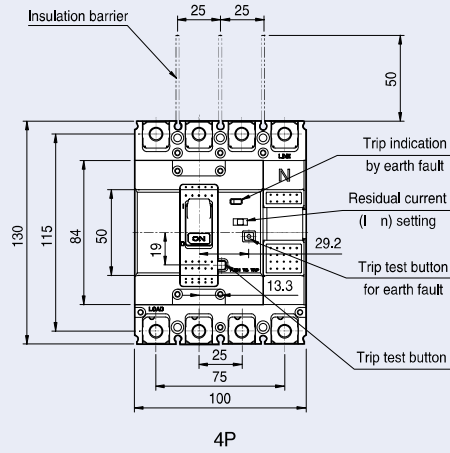
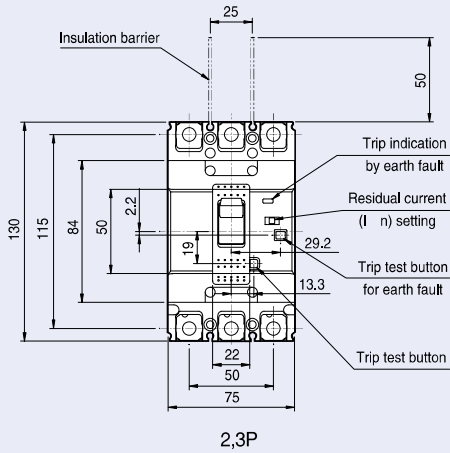


Dimensions

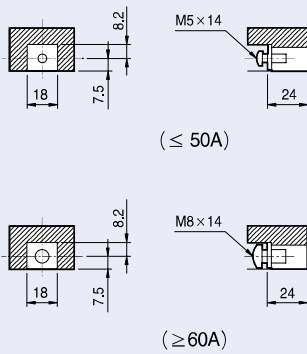
Metasol

ELCB

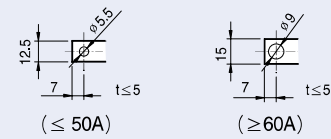
EBS30c	EBS50c
EBS60c	EBS100c



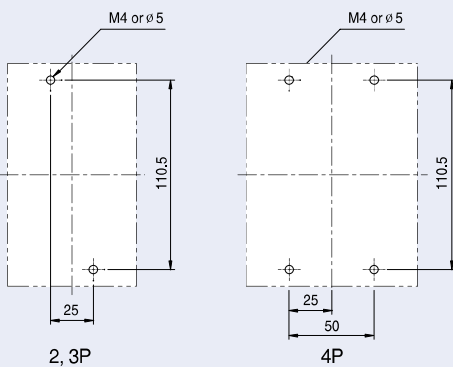
Terminal details



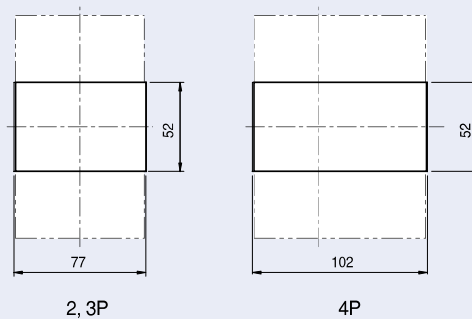
Connecting



Panel drilling



Front panel cutting



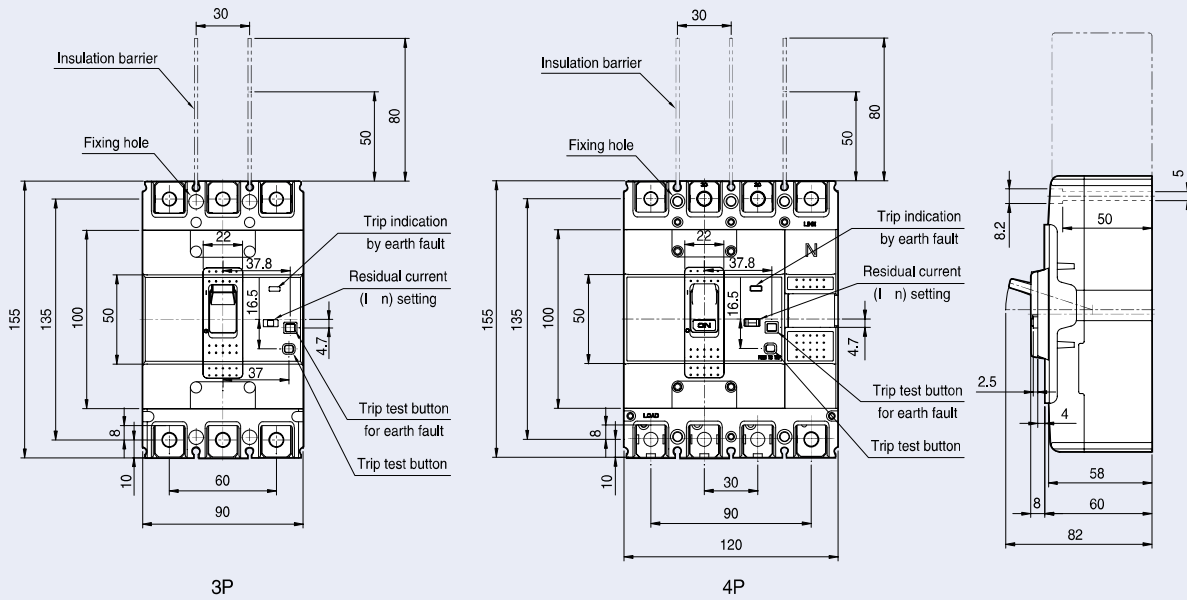
ELCB

EBS125c

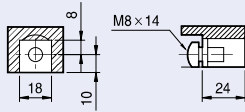
EBH50c

EBH125c

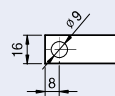
Metasol



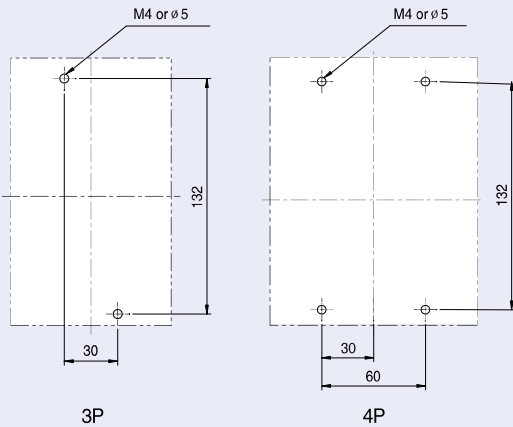
Terminal details



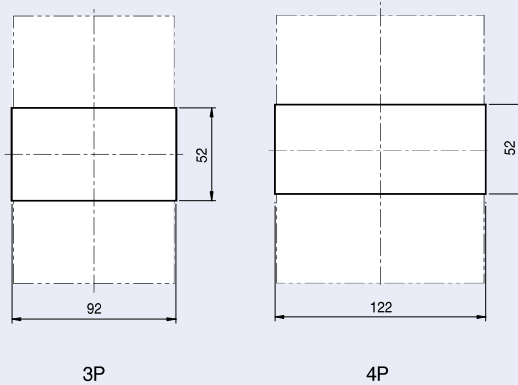
Connecting



Panel drilling



Front panel cutting



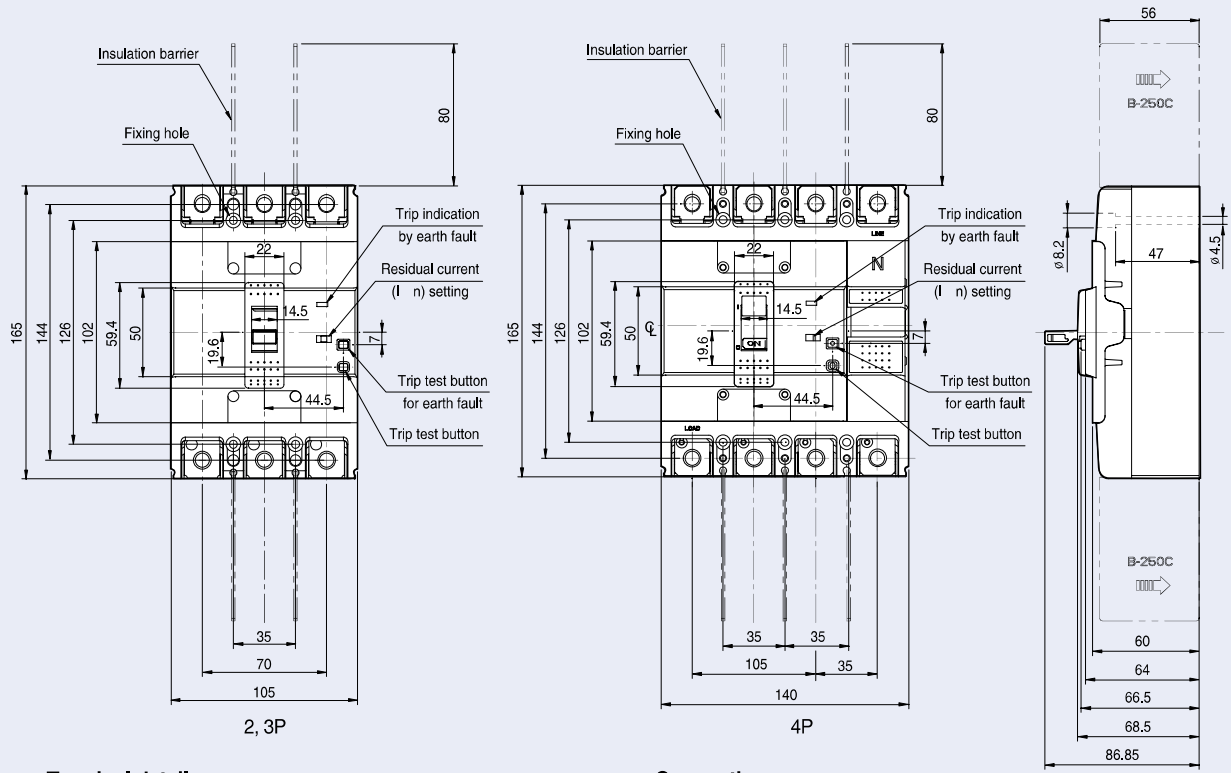
Dimensions

ELCB

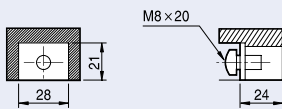
EBN250c

EBS250c

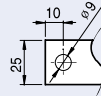
EBH250c



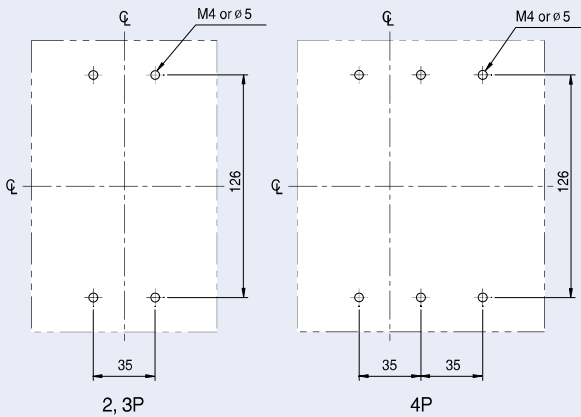
Terminal details



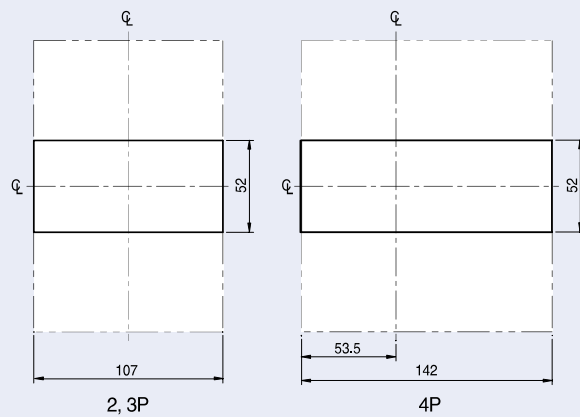
Connecting



Panel drilling



Front panel cutting





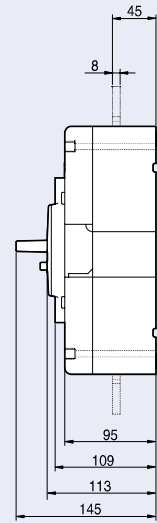
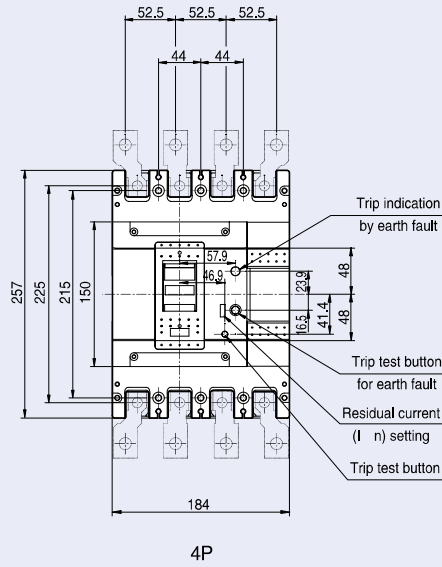
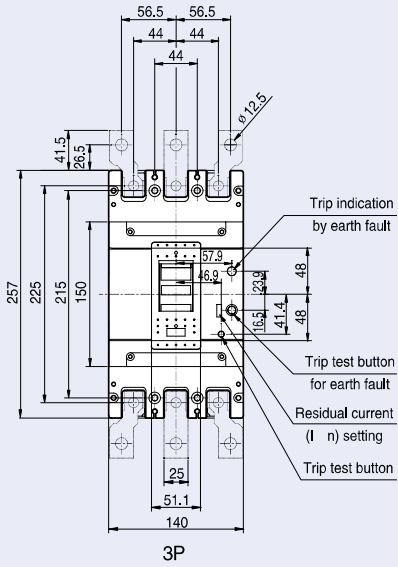
ELCB

EBN400c

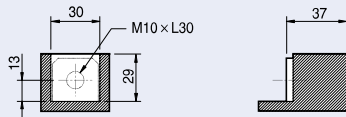
EBS400c

EBH400c

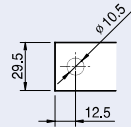
EBL400c



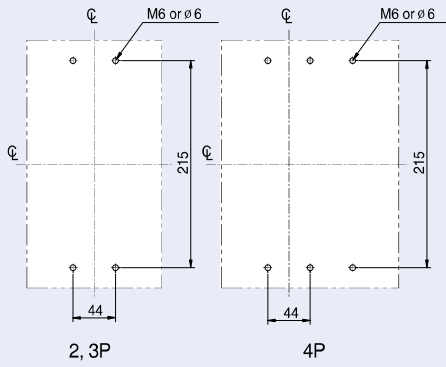
Terminal details



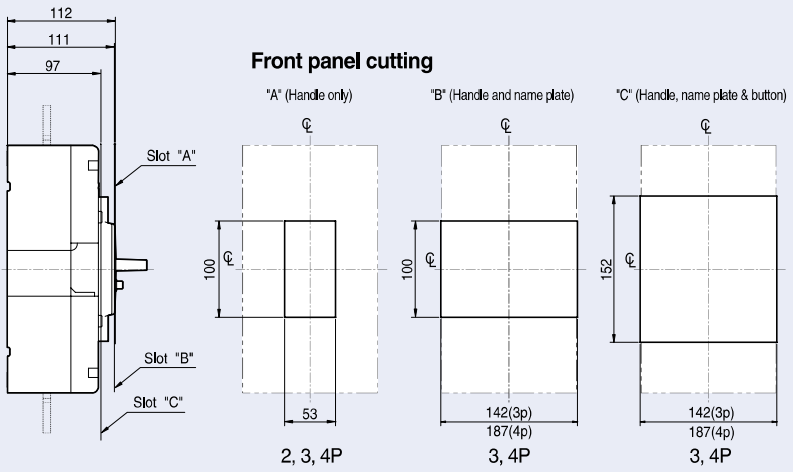
Connecting



Panel drilling

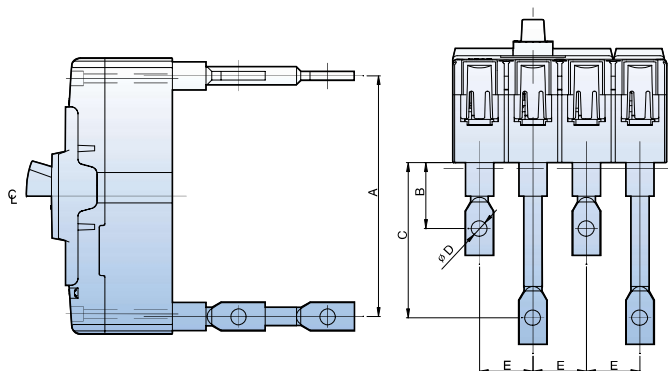


Front panel cutting



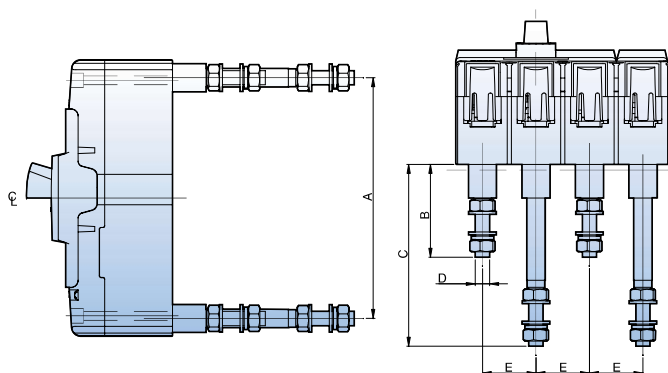
Rear connection terminals

Bar type



MCCB	A	B	C	D	E
ABN100c	115	37	87	∅ 8.5	25
ABH125c	135	37	87	∅ 8.5	30
ABH250c	144	57.5	93.5	∅ 8.5	35
ABS400c	225	72	-	∅ 14	44
ABS800c	243	108.7	-	∅ 14	70

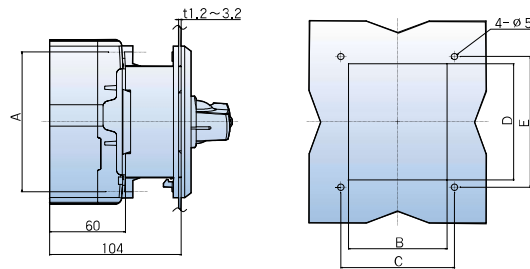
Round type



MCCB	A	B	C	D	E
ABN100c 50AF	115	42	92	M6	25
ABN100c 100AF	115	52	102	M8	25
ABH125c	135	52	102	M8	30
ABH250c	144	70	106	M8	35

Rotary handles

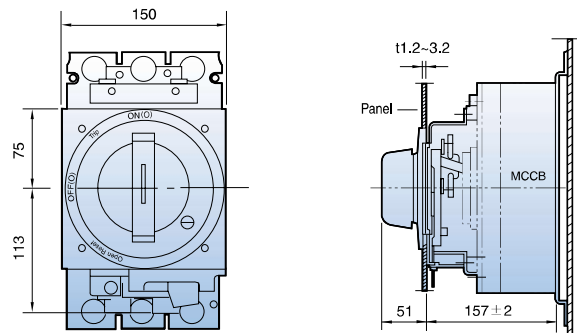
Direct mounting type (D-Handle, 30~250AF)



Type	A (mm)	B (mm)	C (mm)	D (mm)	E (mm)	Remarks
DH100	110.5	78	90	92	103.4	100AF
DH125	132	94	105	108	120	125AF
DH250	126	108	121	110	122	250AF

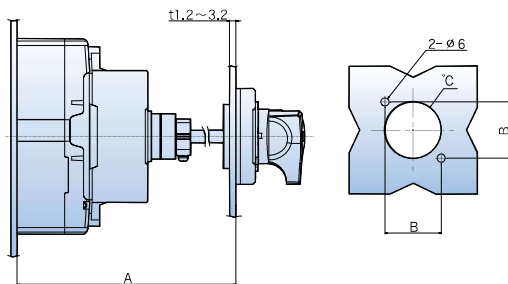
Direct mounting type (N-Handle, 400~800AF)

E-70, N-80



Rotary handles

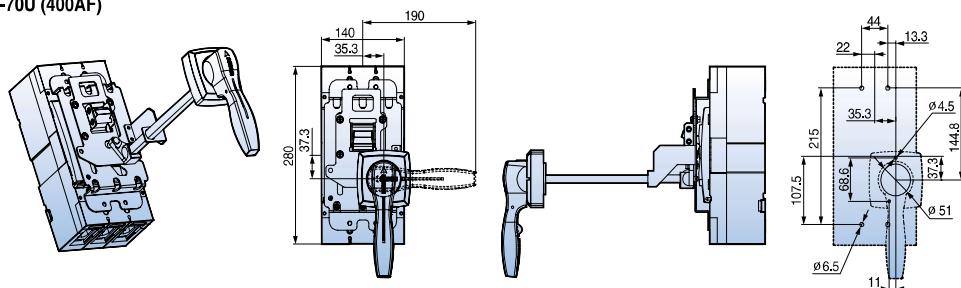
Extended mounting type (E-Handle) (30~250AF)



Type	A (mm)	B (mm)	C (mm)	Remarks
EH100	min 150, max 573.5 (SHAFT469mm)	47	ø 53	100AF
EH125	min 150, max 573.5 (SHAFT469mm)	47	ø 53	125AF
EH250	min 150, max 571.5 (SHAFT469mm)	47	ø 53	250AF

Extended mounting type (N-Handle, 400~800AF)

E-70U (400AF)



E-80U (800AF)

